

Feature :

- Excellent IR-cut performance
- Close responsively to the human eye spectrum
- Light to current, analog output
- Wide supply voltage range, 1.8V to 5.5V
- Custom made housing available

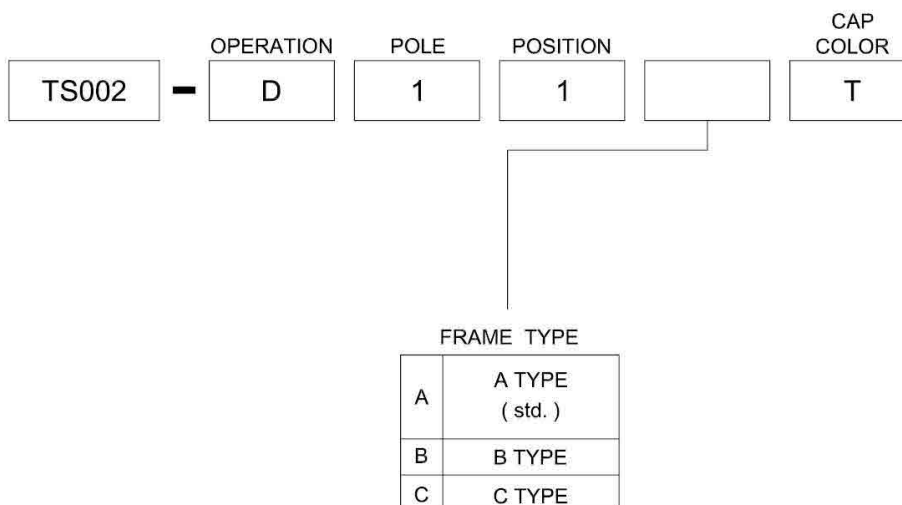
Application :

- Indoor lighting
- Ambient light monitoring
- CCTV security equipments



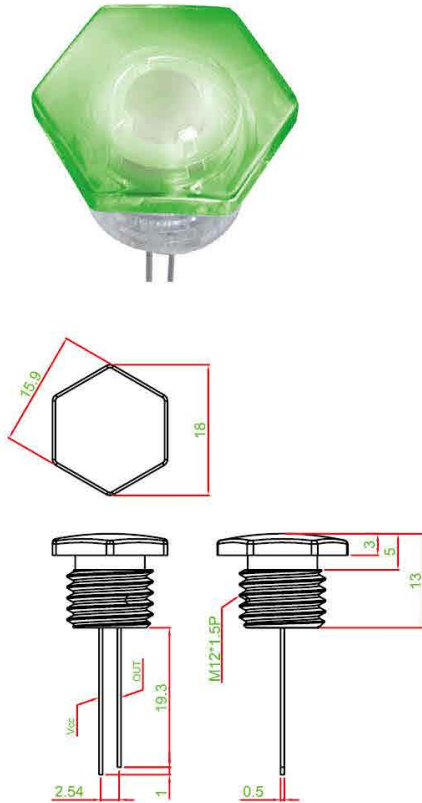
SWITCH SPECIFICATIONS						
POLE - POSITION			SPST			
SUPPLY VOLTAGE			Vcc : 1.8 - 5.5V @ Ta=25°C			
DARK CURRENT	SYMBOL	Min.	Typ.	Max.	UNITS	TEST CONDITION
	I _D	-	0.05	0.1	uA	Vcc = 3V , Ev = 0Lux
LIGHT CURRENT	I _{PH1}	1	3	-	uA	Vcc = 3V , Ev = 10Lux
	I _{PH2}	10	30	-	uA	Vcc = 3V , Ev = 100Lux
	I _{PH3}	100	300	-	uA	Vcc = 3V , Ev = 1000Lux
	I _{PH4}	100	300	-	uA	Vcc = 3V , Ev = 1000Lux
SENSITIVITY WAVELENGTH RANGE			λ : 390~700 nm			
ANGLE OF HALF SENSITIVITY			2θ _{1/2} : 143 Deg.			
OPERATING TEMPERATURE RANGE			-40°C ~ 85°C			
STORAGE TEMPERATURE RANGE			-40°C ~ 100°C			
SOLDERING TEMPERATURE RANGE			260°C			

● HOW TO ORDER

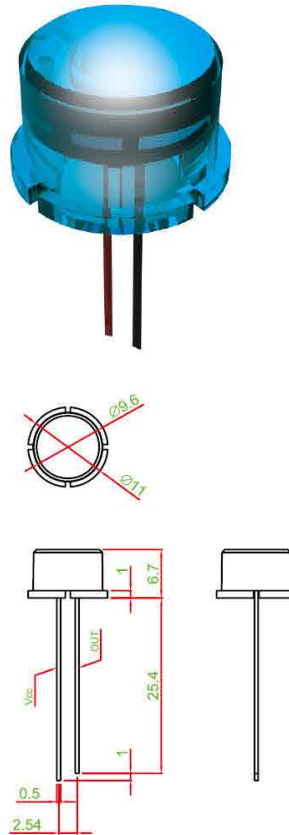


FRAME TYPE

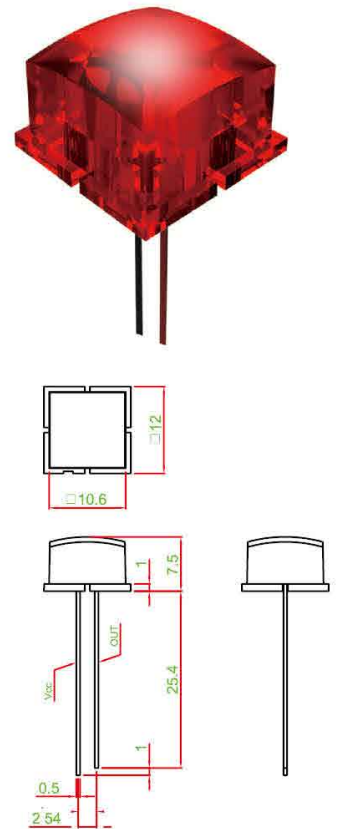
• TS002-D11AT



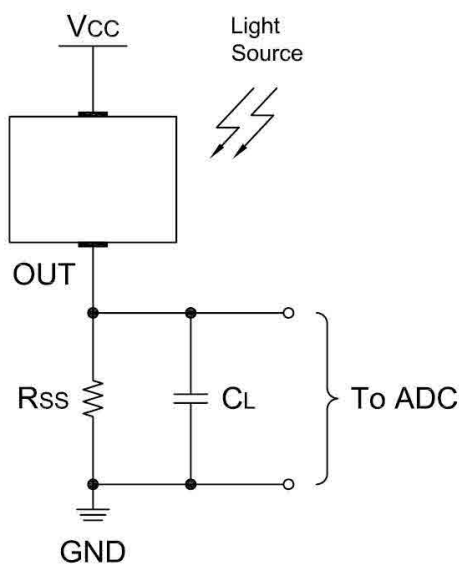
• TS002-D11BT



• TS002-D11CT



CIRCUIT



BASIC KNOWLEDGE

Condition	LUX(Illumination)
Under Bright Sun	Tens of Thousands LUX
Cloudy	About 1500 LUX
Store	About 800 LUX
Living Room	About 200~300 LUX
2M From 40W fluorescent lamps	About 120 LUX
2M From 17W Power Saving Bulb	About 60 LUX
2M From 40W Light Bulb	About 40 LUX
2M From 5W Light Bulb	About 5~10 LUX